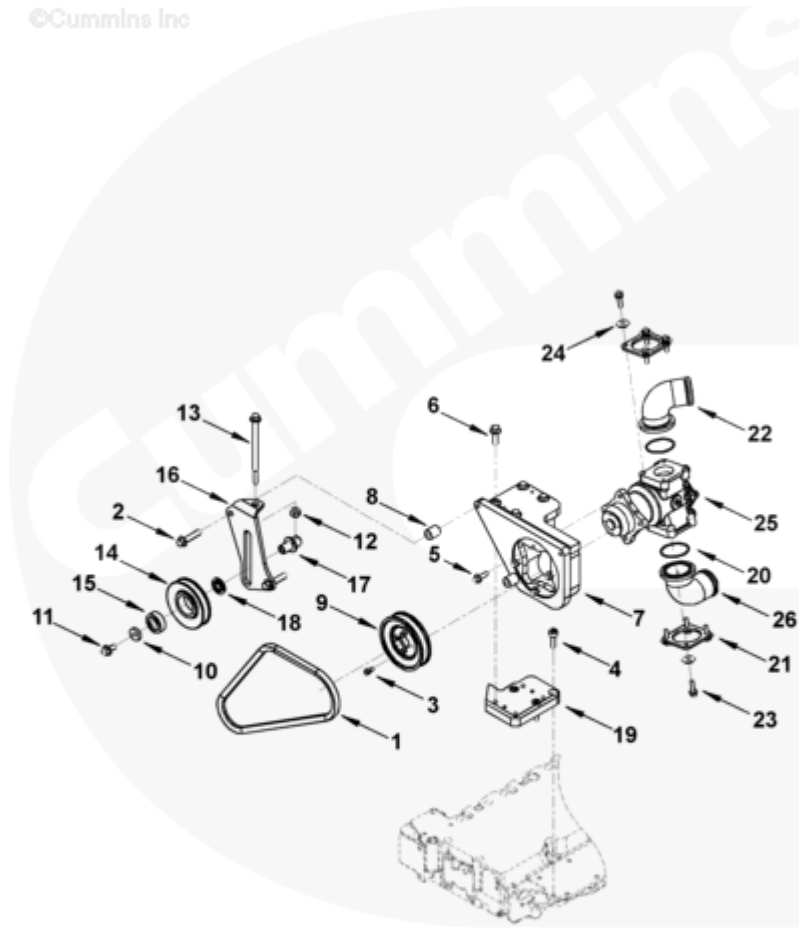




Parts Catalog - Option Detail

Electronic Parts Catalog - Option Detail				
Option	Group	Graphic	Film Card	Date
SW9057-05	08.11	sw900za	T	27-JUN-04
Engines	4B3.9, 6A3.4, 6B5.9, B GAS INTERNATIONAL CM556, B4.5, B4.5 CM2350 B129B, B4.5 CM2350 B146C, B4.5 CM2350 B147B, B4.5 RGT, B4.5S, B5.9 G, B5.9 GAS PLUS CM556, B5.9 LPG, B5.9 LPG PLUS CM556, B6.7 CM2350 B121B, B6.7 CM2350 B135B, B6.7 CM2350 B136C, B6.7 CM2350 B148B, B6.7 G CMOH6.0 B125, B6.7N CM2380 B150B, B6.7S, F3.8 CM2350 F120B, F3.8 CM2350 F128C, F3.8 CM2350 F132B, F3.8 F102, G3.9, G5.9, G5.9 CM558, ISB (CHRYSLER), ISB CM2150, ISB CM2150 E, ISB CM550, ISB CM850, ISB/ISD4.5 CM2150 B119, ISB/ISD4.5 CM2150 SN, ISB/ISD6.7 CM2150 B120, ISB/ISD6.7 CM2150 SN, ISB/ISD6.7 CM2880 B126, ISB3.9 CM2220 B107, ISB4.5 CM2150, ISB5.9G CM2180, ISB6.7 2010 DCX PICKUP, ISB6.7 2013 DCX CHASSIS CAB, ISB6.7 CM2150 SQ, ISB6.7 CM2250, ISB6.7 CM2350 B101, ISB6.7 CM2350 B103, ISB6.7 CM2350 B142, ISB6.7 CM2670 B153B, ISB6.7 G CM2180 B118, ISBE CM2150, ISBE CM800, ISBE2/ISBE3 CM850, ISBE4 CM850, ISD4.5 CM2150, ISD6.7 CM2880 D101, ISF2.8 CM2220, ISF2.8 CM2220 AN, ISF2.8 CM2220 EC, ISF2.8 CM2220 ECF2, ISF2.8 CM2220 F101, ISF2.8 CM2220 F117, ISF2.8 CM2220 F122, ISF2.8 CM2220 F126, ISF2.8 CM2220 F129, ISF2.8 CM2220 IAN, ISF3.8 CM2220, ISF3.8 CM2220 AN, ISF3.8 CM2220 F103, ISF3.8 CM2220 F110, ISF3.8 CM2220 F116, ISF3.8 CM2220 F134B, ISF3.8 CM2220 IAN, ISF3.8 CM2350 F109, ISF4.5 CM2220 F123, ISG11 CM2880 G106, ISG11 CM2880 G108, ISG12 CM2880 G107, ISG12 CM2880 G109, ISG12 G CMOH6.0 G111, QSB3.9 30 CM550, QSB3.9 CM2880 B138, QSB4.5 30 CM550, QSB4.5 CM2150 B108, QSB4.5 CM2250 B131, QSB4.5 CM2250 EC, QSB4.5 CM2350 B106, QSB4.5 CM2350 B122			



sw900za

SMALL | MEDIUM | LARGE

Cart	Ref No	Part Number	Part Description	Required	Remarks
View My Cart					
		SW9057-05	Raw Water Pump		Raw Water Pump...(More)
					Engine Family: "B" Series
					Engine Cylinders: 6
					Manufacturing-Model: Sherwood
					P2701-01
					Flow Rate: 65 GPM at 3000
					RPM
					Drive Method: V-Belt
					Outlet Flange: 101-2 (B)

					Inlet Outside Diameter: 51
					Inlet Location:
					From Engine CL (mm): 385.5
					From Crank CL (mm): 212.8
					From FFOB (mm): -134.2
					Outlet Outside Diameter: 51
					Outlet Location:
					From Engine CL (mm): 285
					From Crank CL (mm): 480.5
					From FFOB (mm): -153.1
<input type="checkbox"/>	1	178558	V Belt	1	
<input type="checkbox"/>	2	3093826	Hexagon Flange Head Cap Screw	2	M10 X 1.50 X 45
<input type="checkbox"/>	3	3900627	Hexagon Flange Head Cap Screw	4	M6 X 1.00 X 14.
<input type="checkbox"/>	4	3901350	Socket Head Cap Screw	3	M10 x 1.50 x 30
<input type="checkbox"/>	5	3918109	Hexagon Flange Head Cap Screw	4	M8 x 1.25 x 25
<input type="checkbox"/>	6	3925344	Hexagon Flange Head Cap Screw	4	M10 X 1.50 X 30.
<input type="checkbox"/>	7	3967359	Sea Water Pump Bracket	1	
<input type="checkbox"/>	8	3968968	Mounting Spacer	2	
<input type="checkbox"/>	9	3969152	Sea Water Pump Pulley	1	
<input type="checkbox"/>		3969360	Belt Tensioner	1	
<input type="checkbox"/>	10	3029507	Mounting Spacer	1	
<input type="checkbox"/>	11	3093931	Hexagon Flange Head Cap Screw	1	M10 X 1.50 X 20.
<input type="checkbox"/>	12	3251594	Lock Nut	1	M10 X 1.50
<input type="checkbox"/>	13	3681390	Hexagon Flange Head Cap Screw	1	M10 X 1.50 X 150
<input type="checkbox"/>		3968966	Idler Pulley	1	
<input type="checkbox"/>	14	3969151	Idler Pulley	1	
<input type="checkbox"/>	15	3969630	Ball Bearing	1	
	16	3968967	Belt Tensioner Bracket	1	
	17	3969148	Idler Shaft	1	

<input type="checkbox"/>	18	3969149	Mounting Spacer	1	
<input type="checkbox"/>	19	3977598	Sea Water Pump Brace	1	
<input type="checkbox"/>		3974454	Sea Water Pump	1	
	20	3976350	O-Ring Seal	2	
<input type="checkbox"/>	21	3866706	Flange	2	
<input type="checkbox"/>	22	3897634	Water Inlet Connection	1	
<input type="checkbox"/>	23	3900631	Hexagon Flange Head Cap Screw	8	M8 X 1.25 X 25.
<input type="checkbox"/>	24	3924653	Plain Washer	8	8.4 mm
<input type="checkbox"/>	25	3974455	Sea Water Pump	1	
<input type="checkbox"/>	26	4003528	Sea Water Connection	1	
<input type="checkbox"/>		3974456	Raw Water Pump-Minor Kit	1	Includes:
					Impeller
					O-Rings
<input type="checkbox"/>		3974457	Raw Water Pump-Intermediate Kit	1	Includes:
					Impeller
					O-Rings
					Cam
					Mech Seal
					Washer
					Ext. Retaining Ring
					Cam Screw
					Int. Ret. Ring
					Pin/Plate Assy
					Cover Plate
					Slinger
					Impeller Tool
<input type="checkbox"/>		3974458	Raw Water Pump-Major Kit	1	Includes:
					Shaft Assy

					Slinger
					Mech Seal
					Flat Washer
					Ext. Retaining Ring
					Pin/Plate Assy
					Impeller
					Cam
					Cam Screw
					O-Rings
					Cover Plate
					Impeller Tool
	20	3976350	O-Ring Seal	2	

© 2019 Cummins Inc., Box 3005, Columbus, IN 47202-3005 U.S.A.
Terms of Use and Disclaimers | Recommended System Requirements
Need Assistance? Please click on the Contact Us button in the top right corner of any page.